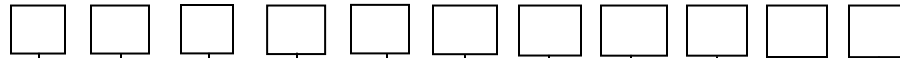


Dual Axis Threshold Detector

SSY0272 Part Number nomenclature

SSY0272



Contact 1:

R: Roll controls the contact,
P: Pitch controls the contact
RP: Roll and Pitch controls the contact

Trip Angle Direction:

CW: Clockwise
CCW: Counter clockwise
A: Either direction

Trip Angle:

Angle in 0.1° increments
 (1 degree = 10)

Trip Angle Hysteresis:

Angle in 0.1° increments
 (1 degree = 10)
 (must be smaller than trip angle)

NC/NO: Normally closed / Normally open.
 (See example pictures below)

Contact 2 (optional):

R: Roll controls the contact,
P: Pitch controls the contact
RP: Roll and Pitch controls the contact

Trip Angle Direction:

CW: Clockwise
CCW: Counter clockwise
A: Either direction

Trip Angle:

Angle in 0.1° increments
 (1 degree = 10)

Trip Angle Hysteresis:

Angle in 0.1° increments
 (1 degree = 10)
 (must be smaller than trip angle)

NC/NO: Normally closed / Normally open.
 (See example pictures on next page)

Cable length:

Designated in feet (Above 10 feet call the factory)



SPECTRON GLASS AND ELECTRONICS INC.

595 OLD WILLETS PATH
 HAUPPAUGE NY 11788
 PHONE: 631 582-5600
 FAX: 631 582-5671

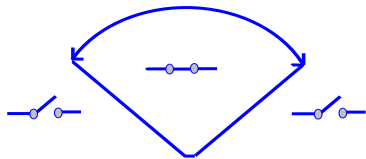
www.spectronsensors.com

Specifications are subject to change without notice!

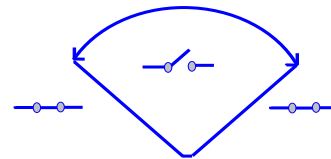


Doc.# SDS-141-0815

Dual Axis Threshold Detector



NC normally closed: The contact is closed before it reaches the trip point. Once the trip point has been reached the contact opens allowing the relay to send a message



NO normally opened: The contact is open before it reaches the trip point. Once the trip point has been reached the contact closes allowing the relay to send a message

Examples:

SSY272-R-CW10-2-NC-R-CCW10-2-NC-6

- ✓ Open contact 1 when roll CW is over 1 degree. Hysteresis is .2 degrees.
- ✓ Open contact 2 when roll CCW is over 1 degree. Hysteresis is .2 degrees.
- ✓ The cable length is 6 feet.

SS272-R-A20-4-NC-P-A20-4-NO-1

- ✓ Open contact 1 when roll CCW or CW is over 2 degrees. Hysteresis is .4 degrees.
- ✓ Close contact 2 when pitch CCW or CW is over 2 degrees. Hysteresis is .4 degrees.
- ✓ The cable length is 1 foot.

SSY272-RP-A10-2-NO-3

- ✓ Open contact 1 when roll or pitch CCW or CW is less than 1 degree. Hysteresis is .2 degrees.
- ✓ The cable length is 3 feet.

SSY272-RP-A350-10-NC-3

- ✓ Open contact 1 when roll or pitch CCW or CW is more than 35 degrees. Hysteresis is 1 degree..
- ✓ The cable length is 3 feet.



SPECTRON GLASS AND ELECTRONICS INC.

595 OLD WILLETS PATH
HAUPPAUGE NY 11788
PHONE: 631 582-5600
FAX: 631 582-5671

www.spectronsensors.com

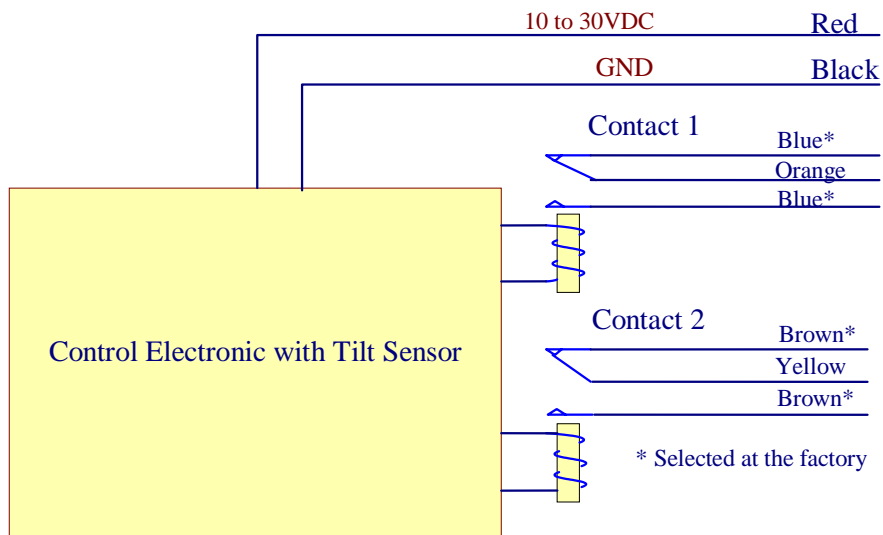
Specifications are subject to change without notice!



Doc.# SDS-141-0815

Dual Axis Threshold Detector

Block Diagram



SPECTRON GLASS AND ELECTRONICS INC.

595 OLD WILLETS PATH

HAUPPAUGE NY 11788

PHONE: 631 582-5600

FAX: 631 582-5671

www.spectronsensors.com

Specifications are subject to change without notice!



Doc.# SDS-141-0815