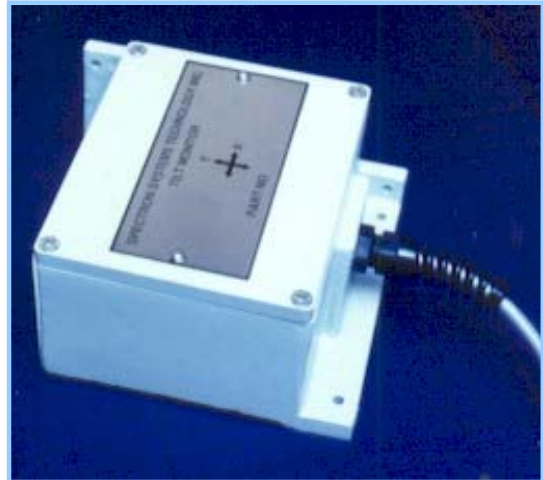


# SPECTROTILT™ II - *Dual Axis Tilt Monitor / NEMA IV*

The SPECTROTILT™ II *Dual Axis Tilt Monitor* combines the popular SP5000 Series *Dual Axis Tilt Sensor*, with integral signal conditioning and a NEMA IV rated enclosure, to bring high precision tilt monitoring to the harshest of environments. Available in a variety of standard angular sensing ranges, performance levels, and input/output configurations, this extremely rugged waterproof enclosure provides the unparalleled protection required for year after year of worry free operation. The null position reference surface, to which the sensor is factory calibrated, eliminates installation guesswork, while the vast array of interface options facilitates easy system integration.



## Electrical Options

### Ranges

- +/-20 degrees
- +/-45 degrees
- +/-60 degrees

### Input Voltage Ranges

- +5Vdc, +/-5%
- +4.85 to +16Vdc (unregulated)
- +11 to +16Vdc (unregulated)

### Outputs

- +/-1.5Vdc
- +/-7Vdc
- 4 to 20ma

### Electrical Termination

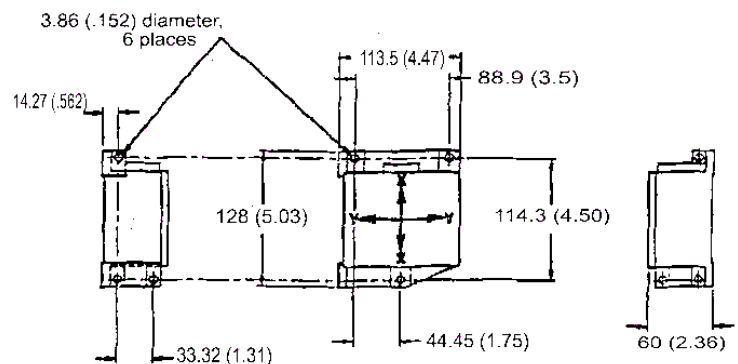
- Standard = 6ft. cable  
(jacketed/shielded, 26awg conductors)
- Optional = molded connector

*Note: some particular combinations may not be available. Consult factory.*

## Specifications

Repeatability .....	0.01 degrees
Resolution .....	0.005 degrees
Settling Time .....	500ms
Operating Temp. Range .....	0° to +80° C
Weight .....	3 lbs.

## Physical Dimensions mm (inches)



## Ordering Information

*Part number = SSY0018*

## Custom Designs

*Spectron can design a Tilt Monitor to meet your particular application. Custom sensing ranges (single or dual axis), and numerous other input/output configurations are available, including RS232. Please consult the factory for more details!*



**SPECTRON SYSTEMS TECHNOLOGY INC.**

595 OLD WILLETS PATH  
HAUPPAUGE NY 11788  
PHONE: 631 582-5600  
FAX: 631 582-5671

